

Installationguide

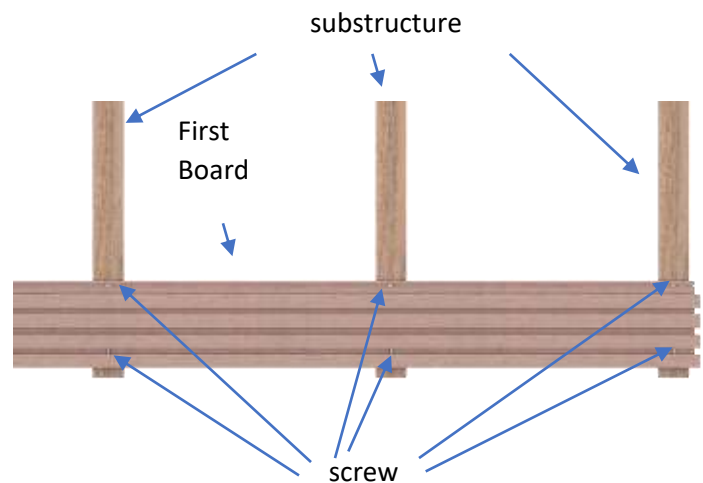
STYX PROFIL

Kurzbeschreibung:

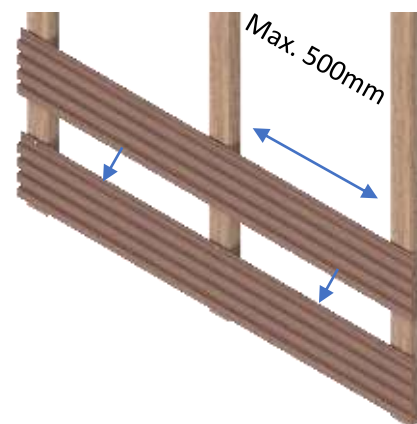
Due to its shape, the STYX profile can be used both vertically and horizontally. The horizontal application is only suitable for indoor use, i.e. for use class 1. The profile is fastened with a 3.5x20mm A2 countersunk screw with drill point. This fits into the groove provided for it. No guarantee is given for connecting materials. Nails and staples are not empfohlen. Small black mold stains, water stains, lime edges, flying mold and the like are external weather influences of nature and can not be prevented. You can minimize any marks that may appear on the material by regular cleaning and care. The care instructions for bamboo must be observed.

Mounting Horizontal:

The STYX profile is mounted directly on a substructure, which is fixed with a distance of max. 500mm. The use of a spirit level is recommended for the alignment of the first profile. Pre-drilling is also recommended. The first profile is fixed in the groove and additionally with visible screws, on each substructure.

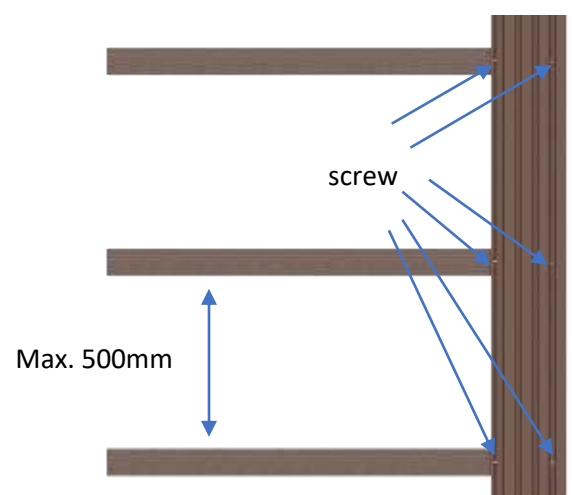


After setting the first profile, the next profile can be pushed onto the first and fastened. This procedure is carried out until the end. The screws are hidden by the following profile. The screws are not visible. The last profile must be cut and visibly screwed.



Mounting Vertical:

The STYX profile is mounted directly on a substructure, which is fixed with a distance of max. 500mm. The use of a spirit level is recommended for the alignment of the first profile. Pre-drilling is also recommended. The profile should protrude approx. 1cm at the ends of the substructure. The STYX profile must have a distance of at least 1cm to the floor. This serves for the rear ventilation of the facade.



After setting the first profile, the next profile can be slid over the first and fixed. This is done until the end. The screws are hidden by the following profile. The screws are not visible. The last profile must be cut and visibly screwed.



Please follow the care instructions for bamboo. We recommend treatment with aMbooo care oil after assembly. Cut edges must be treated with the aMbooo care oil and additionally with face edge wax.



If you are not familiar with the use of this product and in particular with its intended use, please contact us.

View:



hidden screwhead